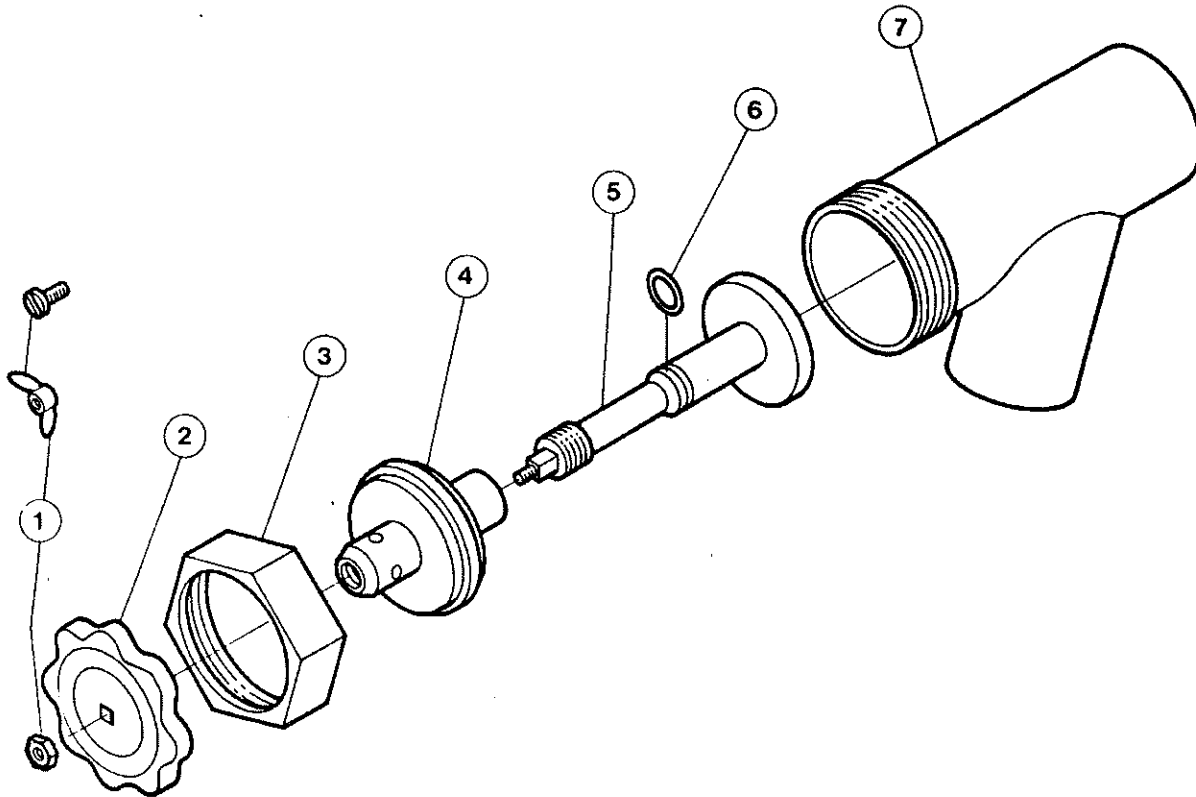


# PARTS LIST - 2" TANGENT DRAW-OFF VALVE

JUNE 1990 to PRESENT



ITEM NO.	PART NO.	DESCRIPTION	QTY.
1. to 7.	KE50972-B KE509721	Draw-off assembly Draw-off assembly, for KDM-40-T	1
1.	FA21008 FA95049 FA11134	Hex nut Wing nut Screw, for KDM-40-T	1
2.	KE527551	Knob	1
3.	KE52754	Hex nut	1
4.	KE52753	Retainer	1
5.	KE52752 KE53290	Piston Piston, for KDM-40-T	1
6.	FA00111	"O" Ring	1
7.	KE52751 KE53289	Valve body Valve body, for KDM-40-T	1